

# ENTERPRISE

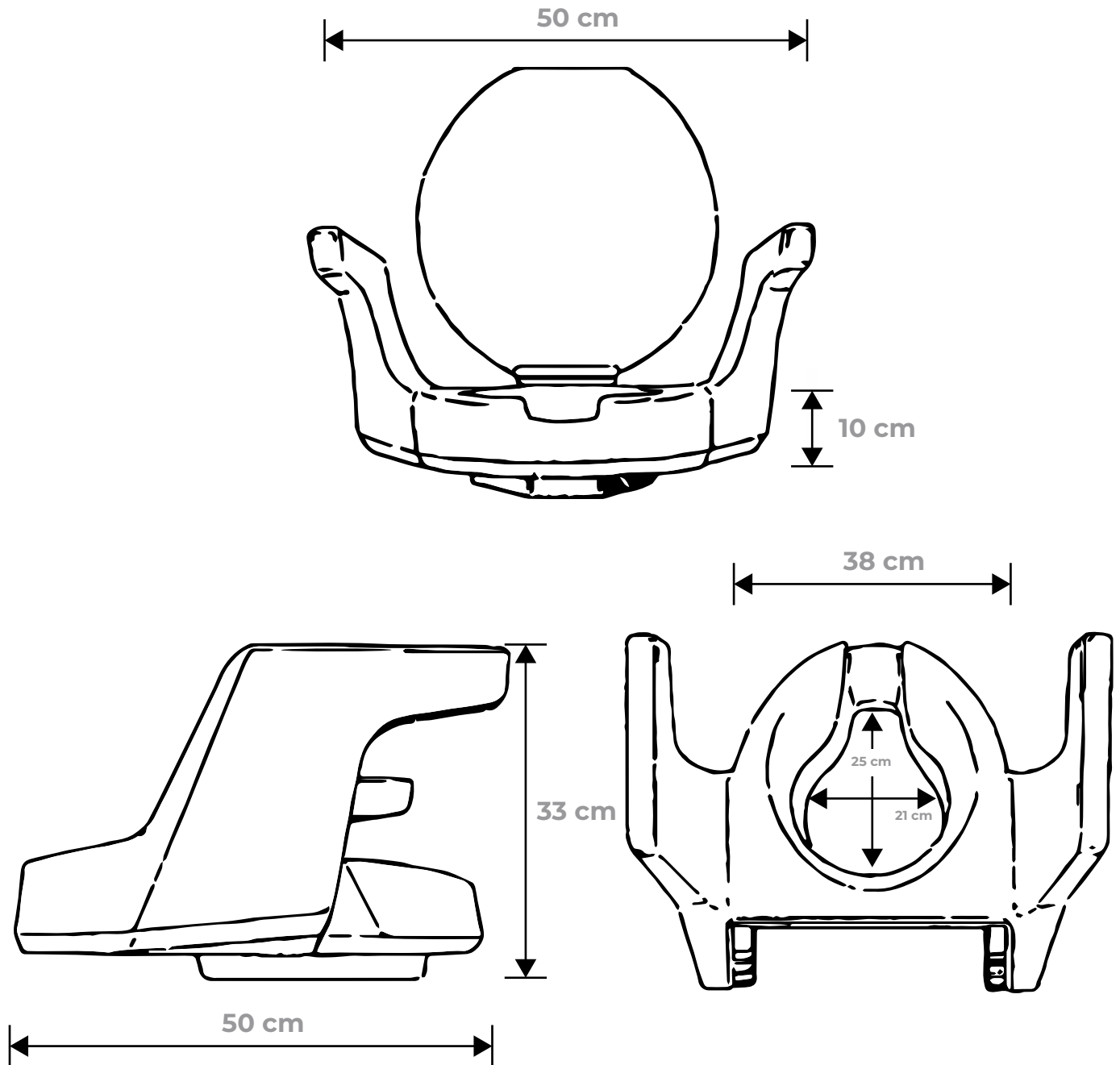
## RAISED TOILET SEAT WITH ARMS

Part No: 6241/1



GORDON  
ELLIS  
& CO

### PRODUCT DRAWING



### TECHNICAL SPECIFICATIONS



MATERIAL(S): MDPE (BODY), PP (LID)

CONSULT INSTRUCTIONS FOR USE

Gordon Ellis & Co. Trent Lane, Castle Donington, Derby. DE74 2AT. England

View our entire range online at: [GordonEllisHealthcare.co.uk](http://GordonEllisHealthcare.co.uk)