

PRIMA MULTI-FRAME WITH TOILET OR SHOWER SEAT

Part No: 65233, 65244, 65255

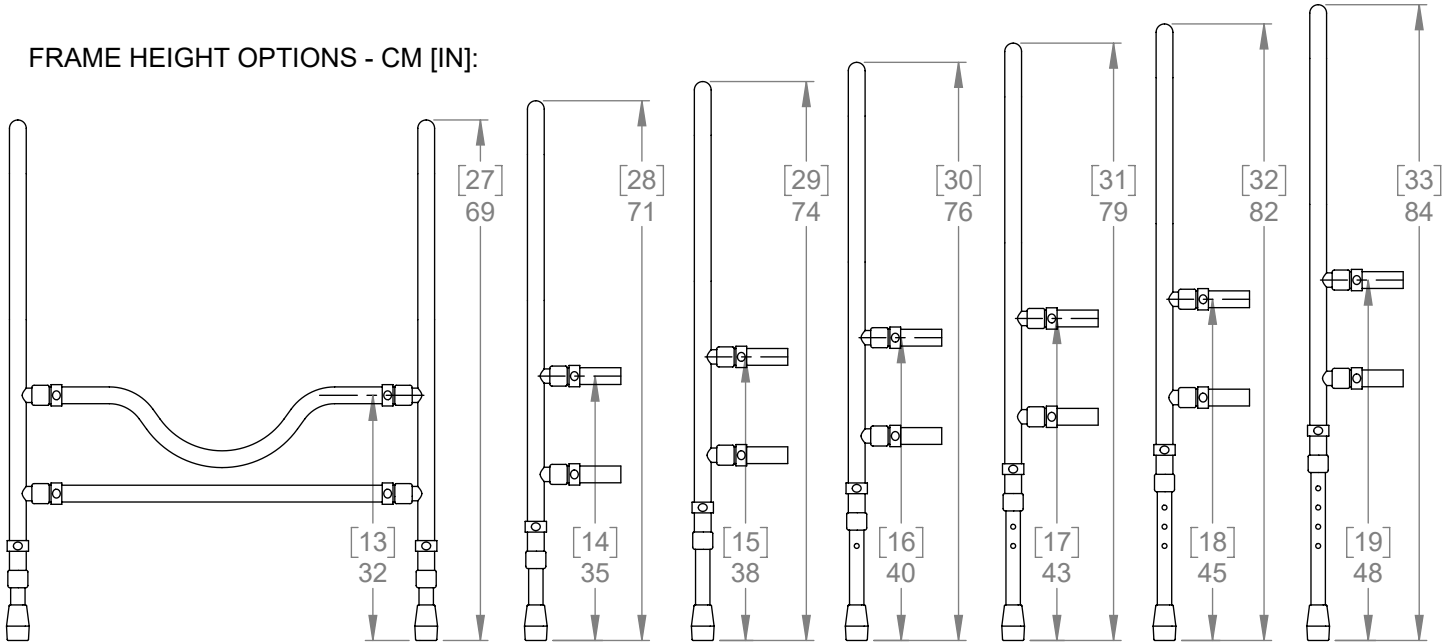


GORDON
ELLIS
& CO

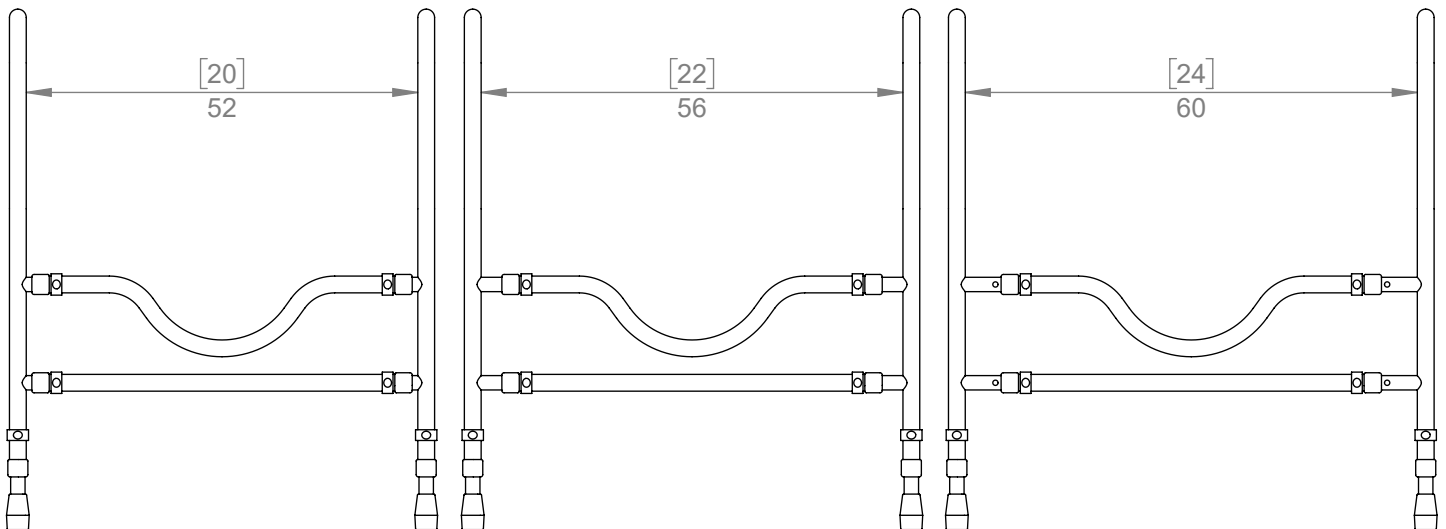
PRODUCT DRAWING



FRAME HEIGHT OPTIONS - CM [IN]:



FRAME WIDTH OPTIONS - CM [IN]:



TECHNICAL SPECIFICATIONS

MAX 190 kg
419 lbs

MATERIAL(S): PP, LDPE, SBR, STEEL

CONSULT INSTRUCTIONS FOR USE

Gordon Ellis & Co. Trent Lane, Castle Donington, Derby. DE74 2AT. England

View our entire range online at: GordonEllisHealthcare.co.uk

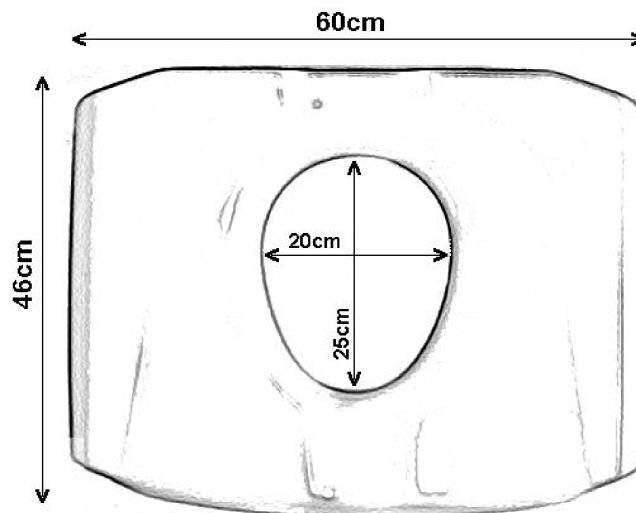
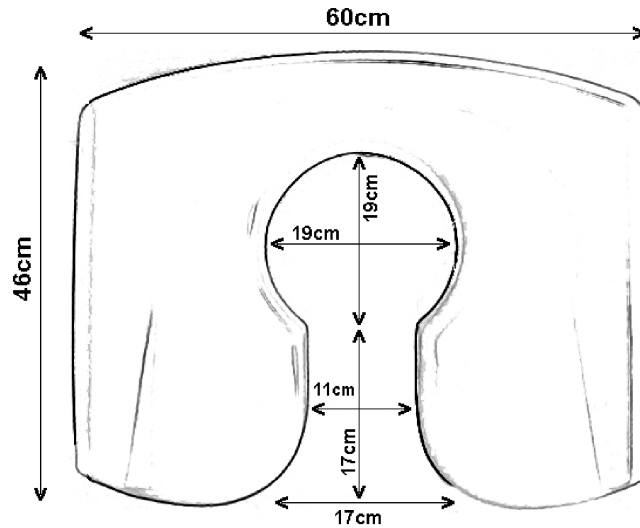
PRIMA MULTI-FRAME WITH TOILET OR SHOWER SEAT

Part No: 65233, 65244, 65255



GORDON
ELLIS
& CO

PRODUCT DRAWING



TECHNICAL SPECIFICATIONS



MATERIAL(S): PP, LDPE, SBR, STEEL

CONSULT INSTRUCTIONS FOR USE

Gordon Ellis & Co. Trent Lane, Castle Donington, Derby. DE74 2AT. England
View our entire range online at: GordonEllisHealthcare.co.uk